



- Isolated Outputs and Grounds
- Withstands 300VAC Surge Input for 5 Seconds
- Protections: Short circuit / Overload / Over voltage
- Cooling by free air convection
- LED indicator for power on
- All using 105°C long life electrolytic capacitors



Model Number	Output Volts	Output Amps	Ripple & Noise	Min Load	Line Reg	Load Reg	Volt Tolerance
--------------	--------------	-------------	----------------	----------	----------	----------	----------------

**DUAL OUTPUT**

RID125-1205	12 Volts(DC)	9.2 Amps	1200mV pk-pk	1~7 Amps	±0.5%	±1.0%	±2.0%
	5 Volts(DC)	3 Amps	80mV pk-pk	0.4~5 Amps	±0.5%	±2.0%	±3.0%
RID125-2405	24 Volts(DC)	4.6 Amps	120mV pk-pk	1~7 Amps	±0.5%	±1.0%	±2.0%
	5 Volts(DC)	3.0 Amps	80mV pk-pk	0.2~2.5 Amps	±0.5%	±2.0%	±3.0%
RID125-1224	12 Volts(DC)	3.7 Amps	120mV pk-pk	0.5~4Amps	±0.5%	±1.0%	±2.0%
	24 Volts(DC)	3.7 Amps	200mV pk-pk	0.2~2.5 Amps	±1.0%	±5.0%	+8, -5%
RID125-1248	12 Volts(DC)	2.3 Amps	120mV pk-pk	2~10.5Amps	±0.5%	±1.0%	±2.0%
	48 Volts(DC)	2.3 Amps	240mV pk-pk	0~3 Amps	±1.0%	±5.0%	+8, -5%
RID125-2448	24 Volts(DC)	2.0 Amps	200mV pk-pk	2~5.3 Amps	±0.5%	±1.0%	±1.0%
	48 Volts(DC)	2.0 Amps	240mV pk-pk	0~3 Amps	±1.0%	±3.0%	±4.0%



## 125W Dual Output Switching Power Supply

## RID125 series

### INPUT SPECIFICATIONS

Input Voltage Range	90 ~ 132 VAC /176~264VAC selected by switch ; 248~373 Volts(DC)
Frequency Range	47-63 Hz
Inrush Current, typ: (cold start)	40Amps/230VAC
Input Current	3.0 Amps. @ 115VAC 2.0 Amps. @ 230VAC
Leakage current	< 2mAmps /240VAC
DC Voltage Adjust	5Volts: 11.4~13.2Volts (DC) (RID125-1205/1224/1248) 5Volts: 22.8~26.4Volts (DC) (RID125-2405/2448)

### OUTPUT SPECIFICATIONS

Voltage and Current	See Selection Chart
Line Regulation (Note 3)	See Selection Chart
Load Regulation (Note 4)	See Selection Chart
Voltage Tolerance (Note 2)	See Selection Chart
Ripple/Noise (Note 1)	See Selection Chart
Hold Up Time	35mS/230VAC 30mS/115VAC @ FL (RID125-1205/2405) 36mS/230VAC 30mS/115VAC@FL (RID125-1224/1248/2448)
Setup, Rise Time @ FL	500ms, 20m/230VAC 1200mS, 30mS/115VAC
Over Voltage Protection	CH1: 13.8~16.2V (RID125-1224/1248/1205) CH1:27.6~32.4V (RID125-2405/2448)
Over Current Protection	110 ~ 150% rated output power >165% rated output power
Peak Load	RID125-1205 5Volts: 15.6 Amps / CH2: 3 Amps RID125-2405 5Volts: 7.8 Amps / CH2: 3 Amps

### GENERAL SPECIFICATIONS

Safety	UL60950-1 TUV EN60950-1 Approved Insulation Resistance≥ 100MΩ @ 500VDC
EMI	Compliance to EN55022B (CISPR22B)
Harmonic Current	Compliance to EN61000-3-2,-3

All specifications are typical at nominal input, full load, and 25°C unless otherwise noted

Efficiency	80%(RID125-1205)/83%(RID-125-2405) 85%(RID125-1224/1248)/86% (RID125-2448)
Isolation	3000VAC Input - Output 1500VAC Input - Ground 500VAC Output - Ground
EMS	Compliance to EN61000-4-2,3,4,5,6,8,11; ENV50204, EN61000-6-2 (EN50082-2) heavy industry level, criteria A

### ENVIRONMENTAL SPECIFICATIONS

Oper. Temperature	-25°C to +70°C (RID125-1205/2405) -20°C to +70°C (RID125-1224/1248/2448)
Storage Temperature	-40°C to +85°C
Relative Humidity	20 to +90%, non-cond
Temperature Coefficient	0.03% / °C (0-50°C) on +5V output
MTBF	218.2.4 KHrs min
Vibration	10~500Hz, 5G10min./1cycle, period for 60min. each along X, Y, Z axes

### PHYSICAL SPECIFICATIONS

Size	199 x 98 x 38 mm 7.83" x 3.86" x 1.50"
Weight	24.69 oz (700g)

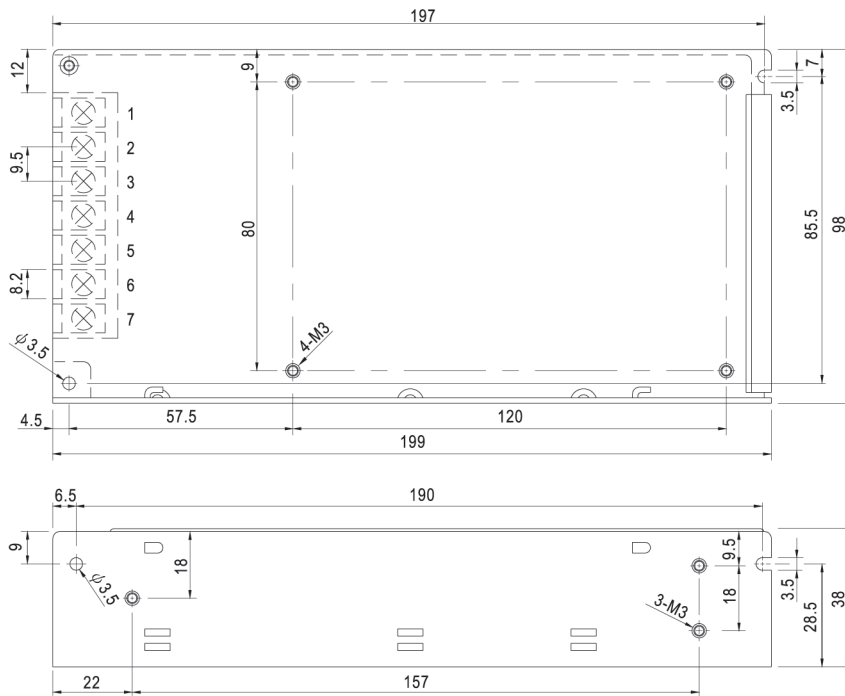
### NOTE

1. Ripple & noise are measured at 20MHz of bandwidth by using a 12" twisted pair-wire terminated with a 0.1uf & 47uf parallel capacitor.
2. Tolerance : includes set up tolerance, line regulation and load regulation.
3. Line regulation is measured from low line to high line at rated load.
4. Load regulation is measured from 20% to 100% rated load, and other output at 60% rated load.

**Astrodyne products are not authorized or warranted for use as critical components in life support systems, equipment used in hazardous environments, nuclear controls systems, or other mission-critical applications.**

### Mechanical Specification

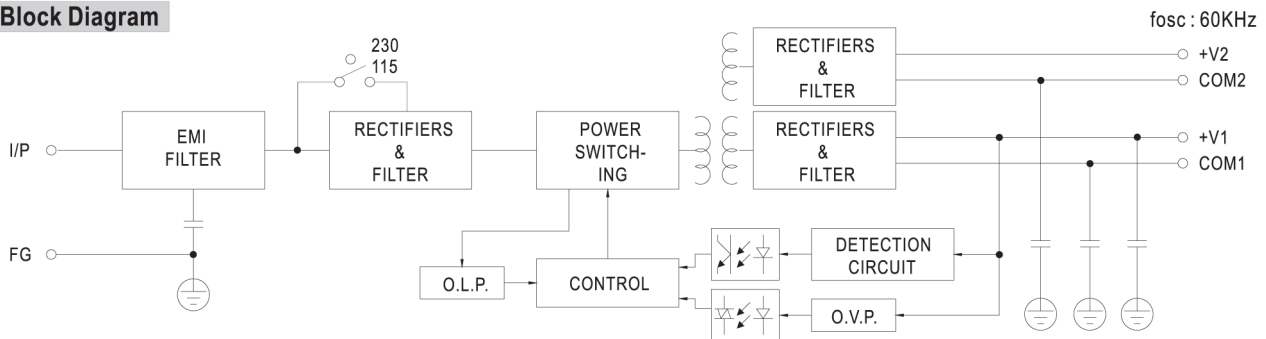
Case No. 902A Unit:mm



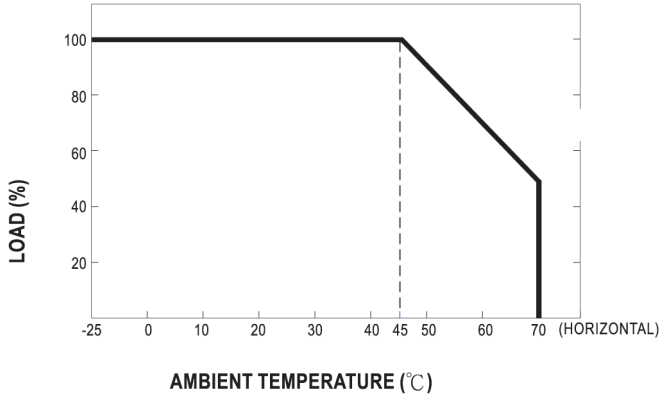
Terminal Pin No. Assignment

Pin No.	Assignment	Pin No.	Assignment
1	AC/L	5	DC OUTPUT +V2
2	AC/N	6	DC OUTPUT COM1
3	FG $\perp$	7	DC OUTPUT +V1
4	DC OUTPUT COM2		

### Block Diagram



### Derating Curve



### Static Characteristics

