



- Protections: Short circuit/Over load/Over voltage
- Cooling by free air convection
- LED indicator for power on
- All using 105°C long life electrolytic capacitors
- Withstands 5G Vibration Test
- High efficiency, long life and high reliability



Model Number	Output Volts	Output Amps	Ripple & Noise	Min Load	Line Reg	Load Reg	Volt Tolerance
DUAL OUTPUT							
RD125-A	5 Volts(DC)	7.7 Amps	80mV pk-pk	2.0~15Amps	±1.0%	±3.0%	±5.0%
	12 Volts(DC)	7.7 Amps	120mV pk-pk	0.5~10Amps	±2.0%	±4.0%	±7.0%
RD125-B	5 Volts(DC)	4.6 Amps	80mV pk-pk	2~10Amps	±1.0%	±3.0%	±5.0%
	24 Volts(DC)	4.6 Amps	120mV pk-pk	0.4~5Amps	±2.0%	±4.0%	±7.0%
RD125-1224	12 Volts(DC)	3.7Amps	120mV pk-pk	1.0~7Amps	±0.5%	±1.0%	±2.0%
	24 Volts(DC)	3.7 Amps	200mV pk-pk	0.4~5Amps	±1.0%	±5.0%	+8,-5%
RD125-1248	12 Volts(DC)	2.3 Amps	120mV pk-pk	1.0~7Amps	±0.5%	±1.0%	±2.0%
	48 Volts(DC)	2.3 Amps	240mV pk-pk	0.2~2.5Amps	±1.0%	±5.0%	+8,-5%
RD125-2448	24 Volts(DC)	2.0 Amps	200mV pk-pk	0.5~4Amps	±0.5%	±1.0%	±1.0%
	48 Volts(DC)	2.0 Amps	240mV pk-pk	0.2~2.5Amps	±1.0%	±3.0%	±4.0%
RD125-2412	24 Volts(DC)	3.7Amps	200mV pk-pk	0.5~5Amps	±0.5%	±1.0%	±2.0%
	12 Volts(DC)	3.7 Amps	120mV pk-pk	1.0~7Amps	±1.0%	±5.0%	±10%
RD125-4812	48 Volts(DC)	2.3 Amps	240mV pk-pk	0.3~2.5Amps	±0.5%	±1.0%	±2.0%
	12 Volts(DC)	2.3 Amps	120mV pk-pk	1.0~7Amps	±1.0%	±5.0%	±10%
RD125-4824	48 Volts(DC)	2.0Amps	240mV pk-pk	0.3~2.5Amps	±0.5%	±1.0%	±1.0%
	24 Volts(DC)	2.0 Amps	240mV pk-pk	0.5~4Amps	±1.0%	±5.0%	±8.0%



125W Dual Output Switching Power Supply

RD125 series

INPUT SPECIFICATIONS

Input Voltage Range	90 ~ 132 VAC; 176~264VAC selected by switch; 248~373 Volts(DC)
Frequency Range	47-63 Hz
Inrush Current, typ: (cold start)	40Amps / 230VAC
Input Current	3.0Amps. @ 115VAC 2.0 Amps. @ 230VAC
Leakage current	< 2mAmps /240VAC

OUTPUT SPECIFICATIONS

Voltage and Current	See Selection Chart
Line Regulation (Note 3)	See Selection Chart
Load Regulation (Note 4)	See Selection Chart
Voltage Tolerance (Note 2)	See Selection Chart
Ripple/Noise (Note 1)	See Selection Chart
Hold Up Time @ FL	25mS/230VAC 30mS/115VAC
Setup, Rise Time @ FL	500ms, 20m/230VAC 1200mS, 30mS/115VAC
Over Voltage Protection	Hiccup mode, auto recover
RD125-A/B	5Volts only: : 5.75 ~ 6.75Volts(DC)
RD125-1224/1248	12Volts only: : 13.8 ~ 16.2Volts(DC)
RD125-2448/2412	24Volts only: : 27.6 ~ 32.4Volts(DC)
RD125-4812/4824	48Volts only: : 55.2 ~ 64.8Volts(DC)
Over Current Protection	110 ~ 150% rated output power Hiccup mode, auto recover
DC Volt Adjust	
RD125-A/B	5Volts only: 4.75 ~ 5.5Volts(DC)
RD125-1224/1248	12Volts only: 11.4~13.2Volts(DC)
RD125-2448/2412	24Volts only: 22.8~26.4Volts(DC)
RD125-4812/4824	40Volts only: 45.6~52.6Volts(DC)

GENERAL SPECIFICATIONS

Safety	UL60950-1, TUV EN60950-1 Approved
Insulation Resistance	≥ 100MΩ / 500Volts(DC)
EMI	Compliance to EN55022 (CISPR22) Class B
Harmonic Current	Compliance to EN61000-3-2,-3

All specifications are typical at nominal input, full load, and 25°C unless otherwise noted

WWW.ASTRODYNE.COM

Efficiency (typ.)	84%
Isolation	3000VAC Input - Output 1500VAC Input - Ground 500VAC Output - Ground
EMS	Compliance to EN61000-4-2, 3, 4, 5, 6, 8, 11; ENV50204, EN61000-6-2 (EN50082-2) Heavy Industry Level, Criteria A

ENVIRONMENTAL SPECIFICATIONS

Oper. Temperature	-25°C to +70°C (See Derate Curve)
Storage Temperature	-40°C to +85°C, 10~95%
Relative Humidity	20~90% RH non cond
Temperature Coefficient	
RD125-A/B	0.03% / °C (0-50°C) on +5V output
RD125-1224/1248	0.03% / °C (0-50°C) on +12V output
RD125-2448/2412	0.03% / °C (0-50°C) on +24V output
RD125-4812/4824	0.03% / °C (0-50°C) on +48V output
MTBF	
RD125-A/B/ 2412/4812/4824	232.4 KHrs min, MIL-UDBK-217F(25°C)
RD125-1224/1248/2448	232.4 KHrs min, MIL-UDBK-217F(25°C)
Vibration	10~500Hz, 5G10min./1cycle, period for 60min. each along X, Y, Z axes

PHYSICAL SPECIFICATIONS

Size	
Millimeters	199 x 98 x 38
Inches	7.83" x 3.86" x 1.49"
Weight	24.69 oz (700g)

NOTE

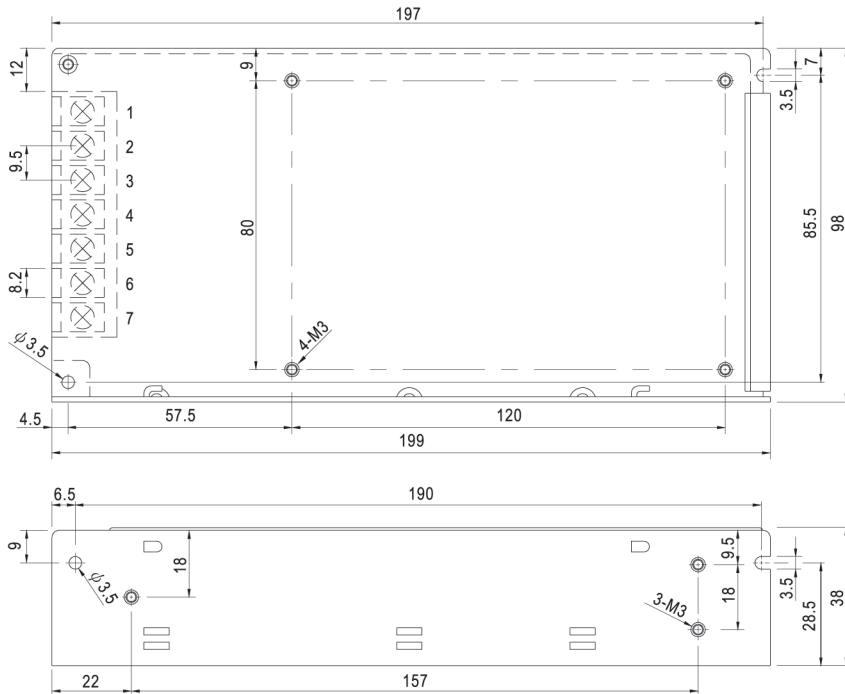
1. Ripple & noise are measured at 20MHz of bandwidth by using a 12" twisted pair-wire terminated with a 0.1uf & 47uf parallel capacitor.
2. Tolerance : includes set up tolerance, line regulation and load regulation.
3. Line regulation is measured from low line to high line at rated load.
4. Load regulation is measured from 20% to 100% rated load, and other output at 60% rated load.

Astrodyne products are not authorized or warranted for use as critical components in life support systems, equipment used in hazardous environments, nuclear controls systems, or other mission-critical applications.

ASTRODYNE USA: 1-800-823-8082
ASTRODYNE PACIFIC: 886-2-26983458

Mechanical Specification

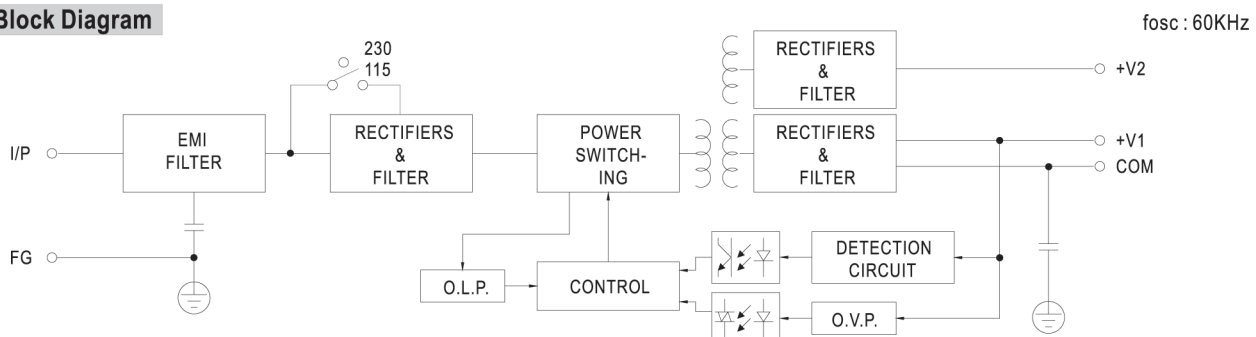
Case No. 902A Unit:mm



Terminal Pin No. Assignment

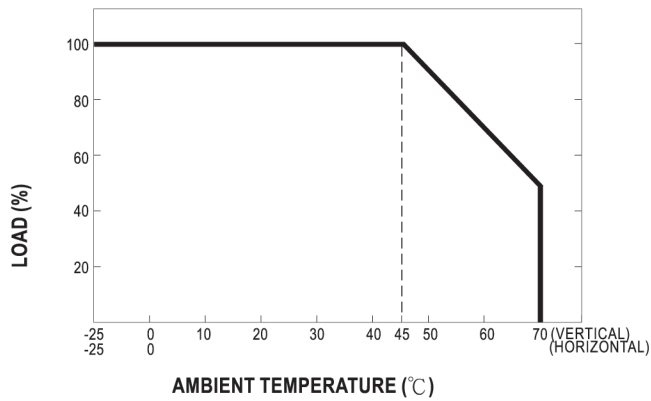
Pin No.	Assignment	Pin No.	Assignment
1	AC/L	4,6	DC OUTPUT COM
2	AC/N	5	DC OUTPUT +V2
3	FG \perp	7	DC OUTPUT +V1

Block Diagram





Derating Curve



Static Characteristics

