

- Universal AC input
- With power good LED
- Protections: Short circuit / Overload / Over voltage
- Fixed switching frequency at 45KHz
- Cooling by free air convection



Model Number	Output Volts	Output Amps	Ripple & Noise	Line Reg	Load Reg	Efficiency	Volt Tolerance	Min Load
DUAL OUTPUT								
PD-110A	5 Volts(DC)	5 Amps	100mVpk-pk	±1.0%	±1.0%	75%	±2.0%	0.5~5.0Amps
	12 Volts(DC)	6.5 Amps	150mVpk-pk	±2.0%	±5.0%	75%	±6.0%	0.5~6.5Amps
PD-110B	5 Volts(DC)	5 Amps	100mVpk-pk	±1.0%	±1.0%	78%	±2.0%	0.5~5.0Amps
	24 Volts(DC)	3.5 Amps	200mVpk-pk	±2.0%	±5.0%	78%	±6.0%	0.5~3.5Amps



110W Dual Output Switching Power Supply

PD110 series

INPUT SPECIFICATIONS

Input Voltage Range	100-264VAC / 141-370 Volts(DC) (90~100VAC 90% load max)
Frequency Range	47~63Hz
Inrush Current, typ: (cold start)	40 Amps
Input Current	3.0 Amps max @115VAC 1.5 Amps max @ 230VAC
Leakage Current	< 1.0mAmps / 240VAC

OUTPUT SPECIFICATIONS

Voltage and Current	See Selection Chart
Line Regulation	See Selection Chart
Load Regulation	See Selection Chart
Voltage Tolerance (Note 2)	See Selection Chart
Ripple/Noise (Note 1)	See Selection Chart
Hold Up Time @ FL	80mS @ FL
Setup, Rise Time @ FL	1200mS, 50mS @ FL
Over Voltage Protection	5Volts(DC) only: 5.75~6.75Volts(DC) Hiccup mode, auto recover
Over Current Protection	105~135% rated output power Hiccup mode, auto recover
DC Voltage Adjust	4.75~5.5Volts(DC): 5Volts(DC) only

GENERAL SPECIFICATIONS

Safety	UL60950-1 TUV EN60950-1 Approved
Insulation Resistance	≥ 100MΩ / 500Volts(DC)
EMI	Compliance to EN55022 (CISPR22) Class B
Harmonic Current	Compliance to EN61000-3-2,-3
Efficiency	See Selection Chart
Isolation	3000VAC Input - Output 1500VAC Input - Ground 500VAC Output - Ground

All specifications are typical at nominal input, full load, and 25°C unless otherwise noted

WWW.ASTRODYNE.COM

EMS	Compliance to EN61000-4-2,3,4,5,6,8,11 ENV50204 light industry level, criteria A
-----	---

ENVIRONMENTAL SPECIFICATIONS

Oper. Temperature	-10°C to +50°C, 60°C with cooling fan (See Derate Curve)
Storage Temperature	-20°C to +85°C, 10~95% RH
Relative Humidity	20 to +90% RH
Temperature Coefficient	±0.03% / °C (0-50°C) ON +5V output
MTBF	323K Hrs min, MIL-HDBK-217F (25°C)
Vibration	10~500Hz, 2G10min./1cycle, period for 60min. each along X, Y, Z axes

PHYSICAL SPECIFICATIONS

Size	Millimeters	177.8 x 107.95 x 46
	Inches	7" x 4.25" x 1.81"
Weight		17.99 oz (510g)

NOTE

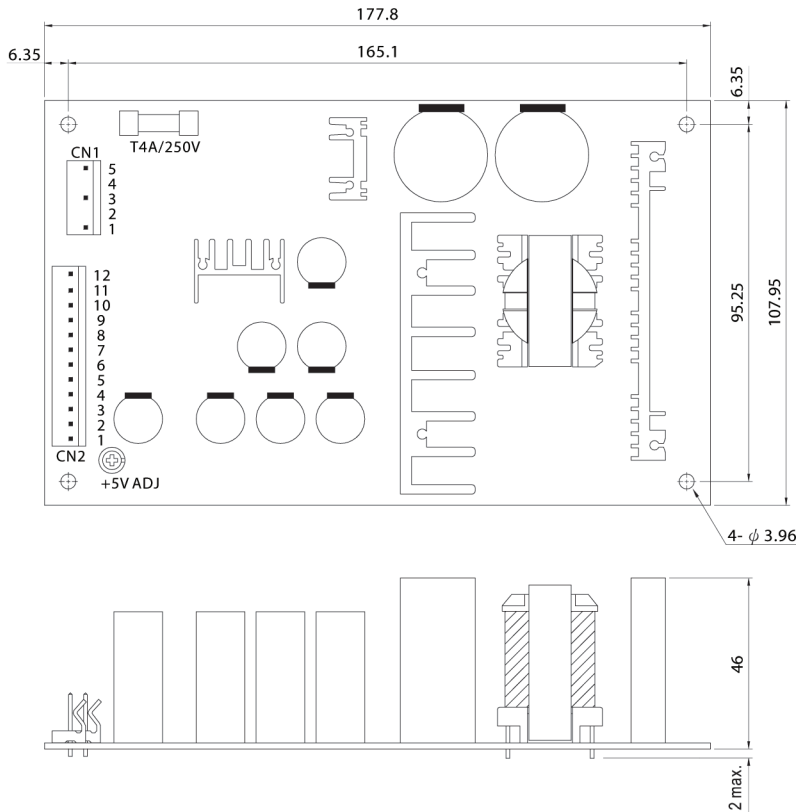
1. Ripple and Noise are measured at 20MHz of bandwidth by using a 12" twisted pair-wire terminated with a 0.1uf & 47 uf parallel capacitor.
2. Tolerance: includes set up tolerance, line regulation and load regulation.

Astrodyne products are not authorized or warranted for use as critical components in life support systems, equipment used in hazardous environments, nuclear controls systems, or other mission-critical applications.

ASTRODYNE USA: 1-800-823-8082
ASTRODYNE PACIFIC: 886-2-26983458

Mechanical Specification

Unit:mm



AC Input Connector (CN1) : Molex 5273-05 or equivalent

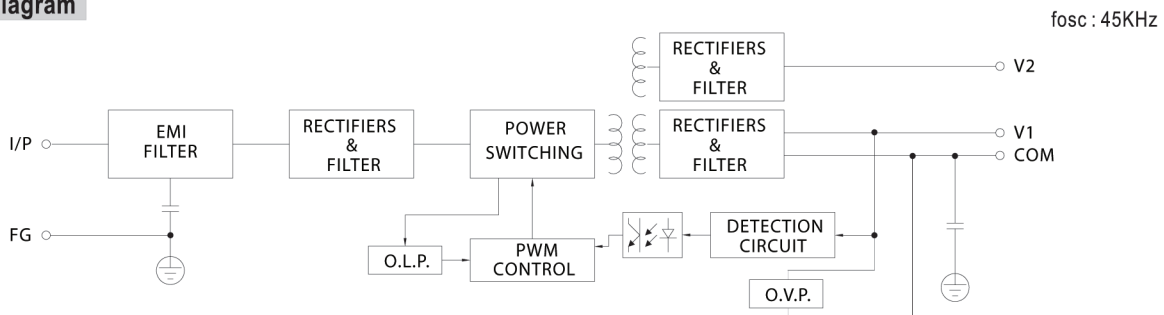
Pin No.	Assignment	Mating Housing	Terminal
1	FG \perp	Molex 5195 or equivalent	Molex 5194 or equivalent
2,4	No Pin		
3	AC/N		
5	AC/L		

DC Output Connector (CN2) : Molex 5273-12 or equivalent

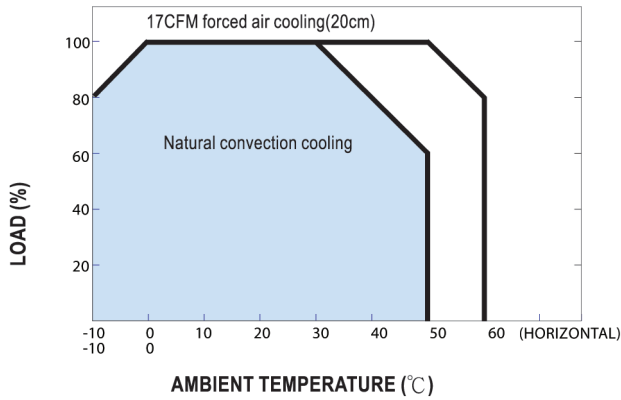
Pin No.	Assignment	Mating Housing	Terminal
1,2,3	V1	Molex 5195 or equivalent	Molex 5194 or equivalent
4,5,6,7	COM		
8,9,10	V2		
11,12	V3(Optional)		

Pin No.	MODEL	
	PD-110A	PD-110B
1,2,3	+5V	+5V
8,9,10	+12V	+24V

Block Diagram



■ Derating Curve



■ Static Characteristics (A)

