

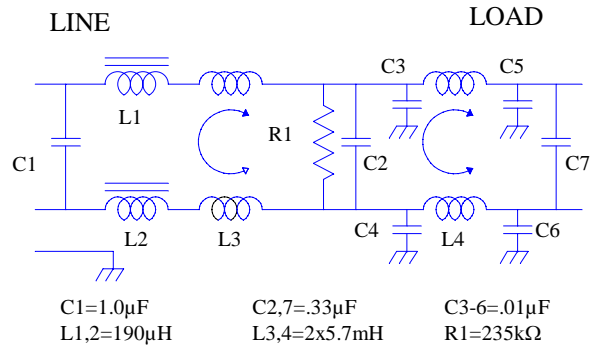


EMI FILTER

MODEL HH-1199-6

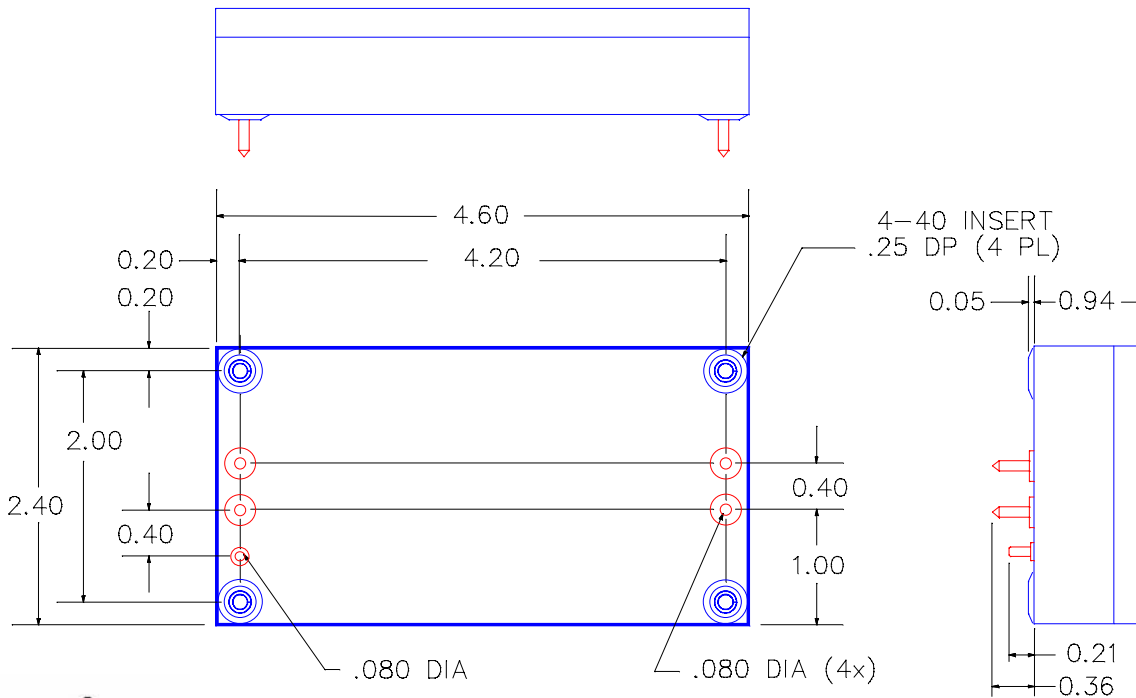
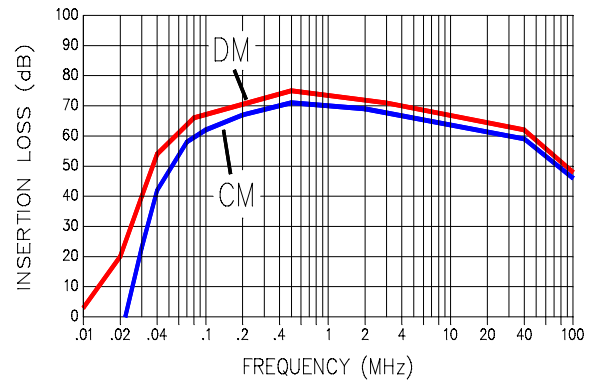
250 VAC, 6A
Data Sheet

The HH-1199-6 filter was designed especially for the *UNIVERter*™ Series of AC-DC converters with power factor Correction. This filter works well for systems with requirements to meet the new European EN55022 emissions specification or for systems required to meet the FCC conducted emissions standards.



Specifications:

| | |
|--|--------------|
| Operating Voltage | 125/ 250 VAC |
| Operating Current (max) | 6.0 A |
| Frequency | 50/ 60 Hz |
| Temperature Range (storage) | -40 to 85 °C |
| Temperature Range (operating) | -20 to 50 °C |
| Diel. withstanding voltage (ph - case) | 1500 VAC |
| Diel. withstanding voltage (ph - ph) | 1500 VDC |
| Leakage current at 250 VAC, 60 Hz | 2.5 mA max |
| Discharge voltage after 60 seconds | 34 V max |



Astrodyne Corporation
35 Hampden Rd
Mansfield, MA 02048

www.astrodyne.com
www.roassoc.com

Tel: (800) 823-8082
Fax: (508) 339-0375
sales@astrodyne.com