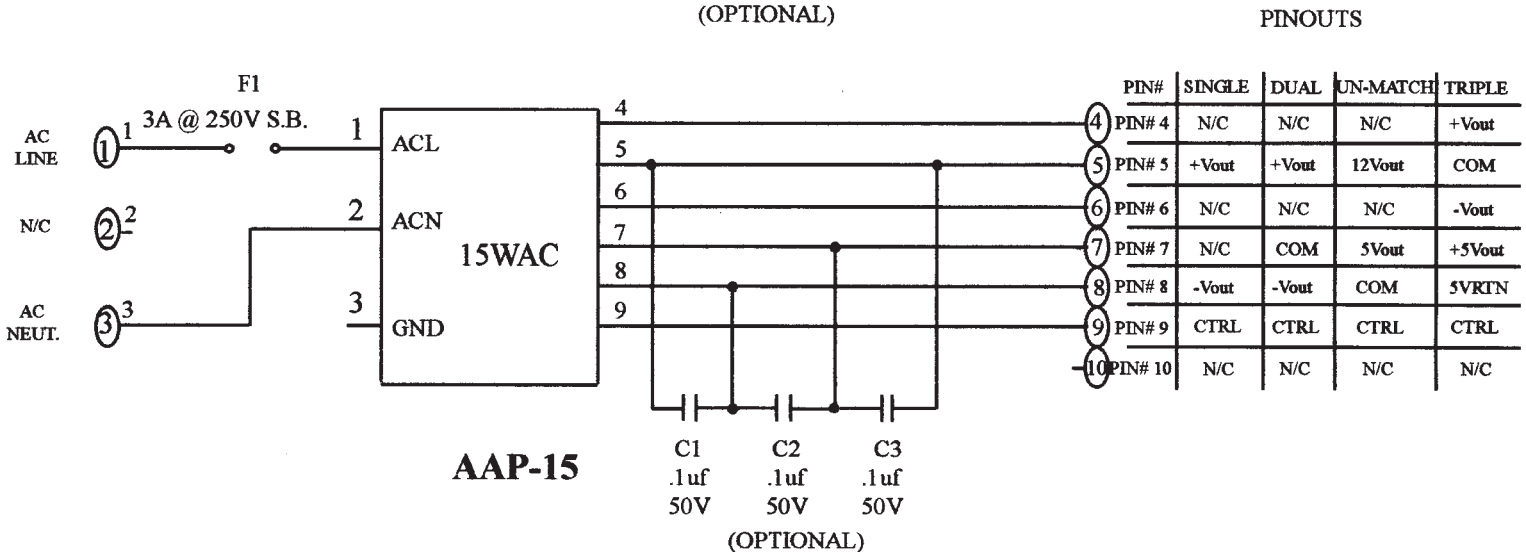
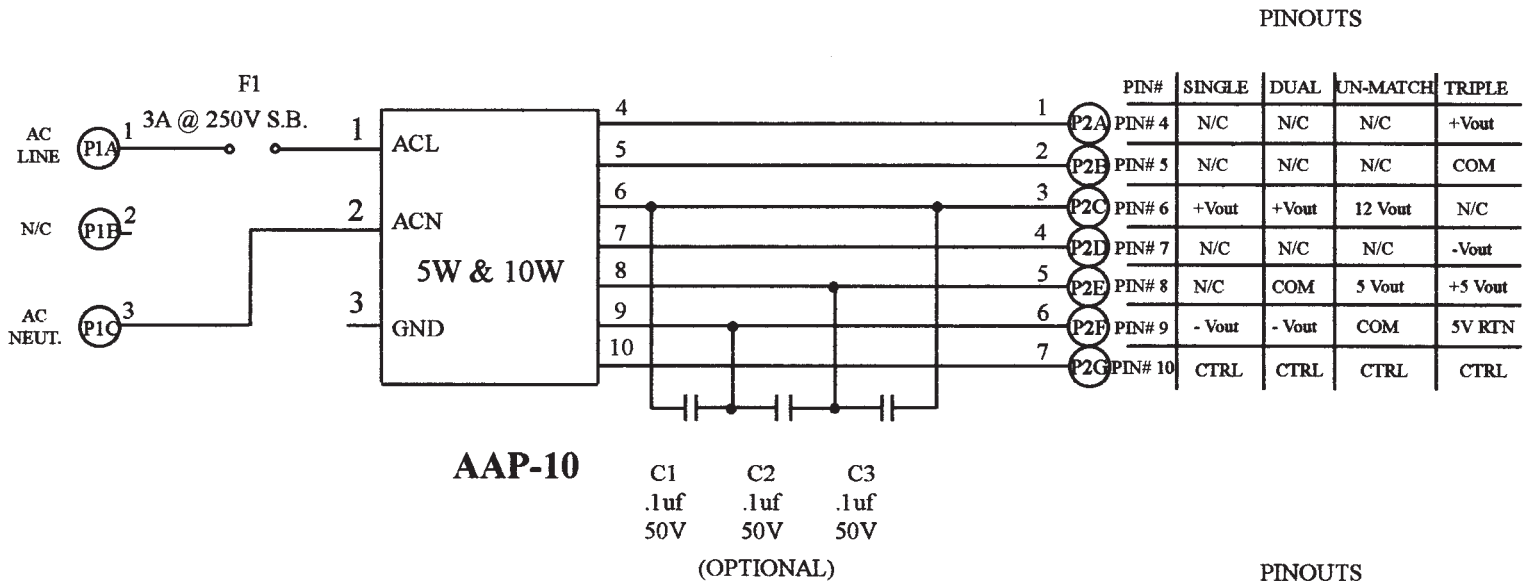




## AAP-10 & 15 DIN-Rail Mounting Sockets

### DESCRIPTION:

The AAP-10 & 15 is a DIN-Rail mounting adapter for use with Astrodyne's 5, 10, and 15 watt Ultraminiature Modular Switching Power Supplies. These adapters consist of a PC board in a snap fit housing that fits DIN EN50022, 50025, and 50035 Rails. The AAP adapter comes standard with a 3A slow blow fuse and matching input/output screw terminal connectors. The overall outside dimensions are approximately 3.6" by 3".



The adapter PC board also includes part locations for additional features the customer may add. C1, C2, and C3 are all locations for optional output ceramic capacitors (.1uF, 50V recommended). These capacitors can be used to reduce high frequency output noise in applications where spike switching noise may be a problem.

